

**OWNER'S MANUAL
MANUEL DU PROPRIÉTAIRE
MANUAL DEL PROPIETARIO**

MODEL * MODÈLE * MODELO

DAG016A5BDH

COMPACT REFRIGERATOR

Owner's Manual.....1 - 13

RÉFRIGÉRATEUR COMPACT

Manuel du propriétaire.....14 - 27

REFRIGERADOR COMPACTO

Manual del propietario.....28 - 41

Danby Products Limited, Guelph, Ontario, Canada N1H 6Z9

Danby Products Inc. Findlay, Ohio, U.S.A. 45840

www.danby.com



Printed in China | Imprimé en Chine | Impreso en China

2026.04.24

Welcome to the Danby family.

We are proud of our quality products and we believe in dependable service. Read this owner's manual before plugging in your new appliance as it contains important operation information to ensure the reliability and longevity of your appliance. You are entitled to the warranty coverage as described in the owner's manual.

1. Please write down your appliance information below. **You must keep the original proof of purchase receipt to validate and receive warranty services.**
2. Register your product online and fill out a survey to receive a **FREE 2 MONTH WARRANTY EXTENSION**. Follow the link:
www.danby.com/support/product-registration

Model Number: _____

Serial Number: _____

Date of Purchase: _____

Need Help?

1. Read your Owner's Manual for installation, troubleshooting, and maintenance.
2. Visit www.Danby.com to access self-service tools, FAQs and more by searching for your model number using the search bar at the top of the page.
3. For the **Customer Service Support**, please fill out the web form at: www.danby.com/support. Your submission will go directly to an expert on your particular appliance.

PARTS & SERVICE DISCLAIMER: Danby does not guarantee availability of all parts indefinitely, service manuals for every model, or availability of service technicians in all areas.



Important Safety Information

READ AND FOLLOW ALL SAFETY INSTRUCTIONS

SAFETY REQUIREMENTS

DANGER: Risk of fire or explosion. Flammable refrigerant used. Do not puncture refrigerant tubing.

- Do not use mechanical devices to defrost refrigerator.
- Ensure that servicing is done by factory authorized service personnel, to minimize product damage or safety issues.
- If the power supply cord is damaged, it must be replaced by the manufacturer, its service agent or similar qualified person in order to avoid hazard.
- Consult repair manual or owner's guide before attempting to service this product. All safety precautions must be followed.
- Dispose of properly in accordance with federal or local regulations.
- Follow handling instructions carefully.
- Do not store explosive substances such as aerosol cans with a flammable propellant in this appliance.

WARNING: Keep ventilation openings, in the appliance enclosure or in the built-in structure, clear of obstruction.

WARNING: Do not use mechanical devices or other means to accelerate the defrosting process, other than those recommended by the manufacturer.

WARNING: Do not damage the refrigerant circuit.

WARNING: Do not use electrical appliances inside the food storage compartments of the appliance, unless they are of the type recommended by the manufacturer.

WARNING: When positioning the appliance, ensure the supply cord is not trapped or damaged.

WARNING: Do not locate multiple portable socket-outlets or portable power supplies at the rear of the appliance

CAUTION: Children should be supervised to ensure that they do not play with the appliance.

DANGER: Risk of child entrapment. Before throwing away an old appliance:

- Remove the door or lid.
- Leave shelves in place so that children may not easily climb inside.

DANGER: Do not add a lock to the door or lid. This can cause child entrapment and harm.

SAVE THESE INSTRUCTIONS!



Important Safety Information

READ AND FOLLOW ALL SAFETY INSTRUCTIONS

SAFETY REQUIREMENTS

This appliance is not intended for use by persons (including children) whose physical, sensory or mental capabilities may be different or reduced, or who lack experience or knowledge, unless such persons receive supervision or training to operate the appliance by a person responsible for their safety.

This appliance is intended to be used in household and similar applications such as:

- Staff kitchen areas in shops, offices and other working environments;
- Farm houses and by clients in hotels, motels and other residential type environments;
- Bed and breakfast type environments;
- Catering and similar non-retail applications.

GROUNDING INSTRUCTIONS

This appliance must be grounded. Grounding reduces the risk of electrical shock by providing an escape wire for the electrical current.

This appliance has a cord that has a grounding wire with a 3-prong plug. The power cord must be plugged into an outlet that is properly grounded. If the outlet is a 2-prong wall outlet, it must be replaced with a properly grounded 3-prong wall outlet. The serial rating plate indicates the voltage and frequency the appliance is designed for.

WARNING - Improper use of the grounding plug can result in a risk of electric shock. Consult a qualified electrician or service agent if the grounding instructions are not completely understood, or if doubt exists as to whether the appliance is properly grounded.

Do not connect your appliance to extension cords or together with another appliance in the same wall outlet. Do not splice the power cord. Do not under any circumstances cut or remove the third ground prong from the power cord. Do not use extension cords or ungrounded (two prongs) adapters.

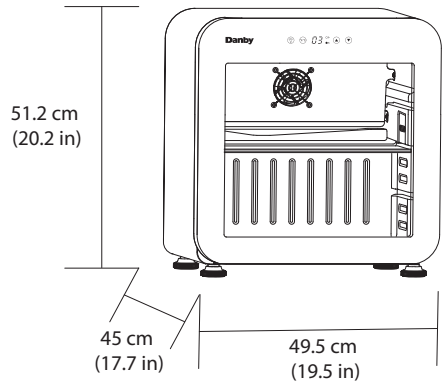
SAVE THESE INSTRUCTIONS!

INSTALLATION INSTRUCTIONS

LOCATION

- Two people should be used when moving the appliance.
- Remove interior and exterior packaging prior to installation. Wipe the outside of the appliance with a soft, dry cloth and the inside with a lukewarm wet cloth.
- Place the appliance on a floor that is strong enough to support it when it is fully loaded.
- Do not place the appliance in direct sunlight or near sources of heat, such as a stove or heater, as this can increase electrical consumption. Extreme cold ambient temperatures may also cause the appliance to perform improperly.
- Do not use the appliance near water, for example in a wet basement or near a sink.
- This appliance is intended for household use only. It is not designed for outside installation, including anywhere that is not temperature controlled (garages, porches, vehicles, etc.).
- Before connecting the appliance to a power source, let it stand upright for approximately 6 hours. This will reduce the possibility of a malfunction in the cooling system from handling during transportation.

- This appliance is 49.5 cm (19.5 inches) wide by 51.2 cm (20.2 inches) high by 45 cm (17.7 inches) deep.



- This appliance is only intended for free-standing installation. It is not intended to be built into a cabinet or counter without following the minimum air circulation requirements.
- Minimum air circulation requirement: Allow 5 cm (2 inches) of space between the back, sides and top of the appliance and all surrounding structures (walls, cabinets or counter tops).

WARNING: Placing this appliance into any enclosed location with a door or without the minimal amount of air space described above will increase energy usage, reduce this appliance's performance and lifespan, and **WILL VOID YOUR WARRANTY.**

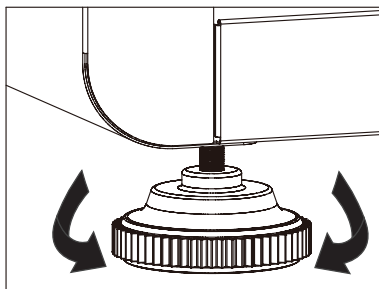
INSTALLATION INSTRUCTIONS

LEVELING INSTRUCTIONS

There are four (4) adjustable legs located on the bottom of the appliance.

These can be turned clockwise and counterclockwise to ensure that the appliance is level.

It is important that the appliance is level to minimize noise and vibration.

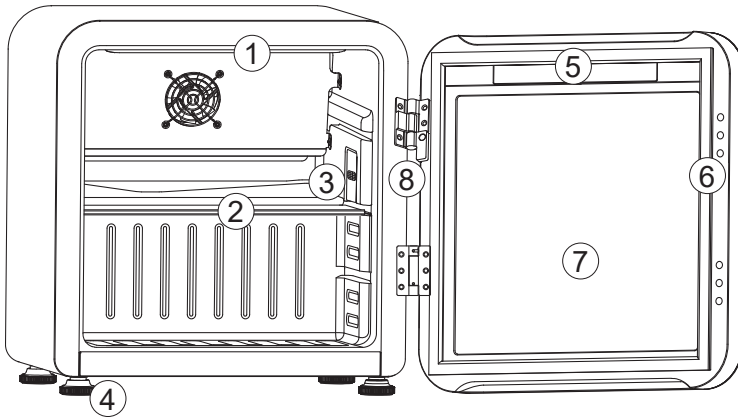


1. Move appliance to its final location
2. Identify which leg to adjust, then turn leveling leg counterclockwise as far as it will go, until the top of the foot is touching the bottom of the appliance
3. Slowly turn the leveling leg clockwise until the leg sits on the floor
4. If necessary, repeat steps 2 & 3 until the appliance is level

OPERATING INSTRUCTIONS

PRODUCT FEATURES

1. LED lighting
2. Glass shelves
3. Temperature sensor
4. Adjustable Foot
5. Control Panel (on front of door, not pictured)
6. Magnetic gasket
7. Tempered Glass Door
8. Self-closing Door Hinge



IMPORTANT

Ensure that the door is fully closed when the appliance is in operation. Failure to fully close the door can lead to excessive condensation and potential water damage to flooring under the appliance. Danby will not be responsible for damages from misuse.

OPERATING INSTRUCTIONS

CONTROL PANEL



1. Interior Light Button

Press the interior light button to turn the interior light on or off immediately.

The interior light will be turned off automatically after 5 min. Long press the light button ≥ 3 sec to keep the interior light on continuously.

2. °F / °C Set Button

Allows the unit to be set to display the temperature in Fahrenheit (°F) or Celsius (°C). Pressing the °F/°C set button will change the temperature display.

The indicator light on the right will be illuminated accordingly.

3. Temperature Display

Displays the temperature of unit. The default setting temperature is 3°C (37°F).

The display panel will automatically dim off after 2 min after stopped operate the control panel.

4. Temperature Up and Down Button

Use the up and down buttons to raise or lower the set temperature. Adjustable temperature range 0°C ~ 10°C (32°F ~ 50°F).

CARE & MAINTENANCE

CLEANING

Ensure the appliance is unplugged before cleaning.

- To clean the inside of the appliance, use a soft cloth and a solution of a tablespoon of baking soda to one quart of water or some mild detergent.
- Wash removable shelves in a mild detergent solution, then dry and wipe with a soft cloth.
- Clean the outside with a soft, damp cloth and some mild detergent.
- It is important to keep the area clean where the door seals against the cabinet. Clean this area with a soapy cloth. Rinse with a damp cloth and let dry.

Note: Do not use cleaners containing ammonia or alcohol on the appliance. Ammonia or alcohol can damage the appearance of the appliance. Never use any commercial or abrasive cleaners or sharp objects on any part of the appliance.

POWER FAILURE

Most power failures are corrected within a few hours and should not affect the temperature of the appliance if the door is kept closed as much as possible. If the power is going to be off for a longer period of time, take steps to protect the contents.

Note: Wait 3 to 5 minutes before attempting to restart the refrigerator if operation has been interrupted.

DEFROST

This appliance is equipped with an automatic defrost function and does not require manual defrosting. Defrost water from the appliance is channeled into a drip tray located above the compressor. Heat transfer from the compressor causes the defrost water to evaporate.

CARE & MAINTENANCE

VACATION

Short Vacations

- Leave the appliance operating during vacations of less than three weeks.

Long Vacations

- If the appliance will not be used for several months, remove all items and turn off the appliance. Clean and dry the interior thoroughly.
- To prevent odor and mold growth, leave the door open slightly, blocking it open if necessary.

MOVING

- Make sure the appliance is empty.
- Secure the shelves inside the appliance with tape.
- Turn the adjustable leg up to the base to avoid damage.
- Secure the door with tape.
- Be sure the appliance stays in the upright position during transportation. Protect the outside of the appliance with a blanket or similar item.
- If the appliance is placed on its back or side during transportation, upon reaching the destination, allow it to remain upright for 6 hours before plugging in to avoid damage to internal components.

DISPOSAL

This appliance may not be treated as regular household waste, it should be taken to the appropriate waste collection point for recycling of electrical components. For information on local waste collection points, contact your local waste removal agency or government office.

FREQUENTLY ASKED QUESTIONS

What are the standard wattage and amps used?

This information can be found on the rating plate located on the back of the cabinet.

How much does it cost to run the refrigerator?

Please refer to the energy guide.

Can I use an extension cord?

No, an extension cord may not be used.

I am having trouble opening the door; why?

The refrigerator door may be difficult to open immediately after closing it. This is normal and is due to the pressure difference between the cold interior of the refrigerator and the warm air that has just entered the refrigerator when it was opened. The pressure will equalize within a few minutes.

I had my fridge on its side to bring it home. Do I have to let it sit? And for how long?

Yes, please allow it to sit upright for 6 hours before plugging it in.

FREQUENTLY ASKED QUESTIONS

There is an error code on the control panel, what does it mean?

E1: Temperature sensor failure

E2: Defrosting sensor failure

To clear all error codes:

- Unplug the appliance and let it stand undisturbed for 5 minutes
- After 5 minutes, plug the appliance back in

If the error code persists, contact consumer care for further troubleshooting.

The refrigerator smells like new plastic. How do I make it go away?

It is common for new appliances to have a slight plastic smell. Ensure that you have removed all packing material from the fridge. Clean the inside of the cabinet by following the cleaning instructions included in the owner's manual. Once completed, place an open box of baking soda in the refrigerator to absorb any remaining odour.

TROUBLESHOOTING

PROBLEM	POSSIBLE CAUSE
No power	<ul style="list-style-type: none">• A fuse may be blown or the circuit breaker tripped• Plug not fully inserted into the wall outlet
Internal temperature not cold enough	<ul style="list-style-type: none">• Temperature setting is too warm• The door is not shut properly or opened excessively• Recently added a large quantity of warm food to the cabinet• Close proximity to heat source or direct sunlight• Ambient temperature or humidity is very high
Refrigerator runs continuously	<ul style="list-style-type: none">• Temperature setting is too cold• The door is not shut properly or opened excessively• Recently added a large quantity of warm food to the cabinet• Close proximity to heat source or direct sunlight• Ambient temperature or humidity is very high
Refrigerator makes a gurgling noise when operating	<ul style="list-style-type: none">• This noise is completely normal. The refrigerant inside the appliance will make a gurgling noise as it changes from a liquid to a gas and back again.

Limited “In-Home” Warranty

This quality product is warranted to be free from manufacturer’s defects in material and workmanship, provided that the unit is used under the normal operating conditions intended by the manufacturer. This warranty is available only to the person to whom the unit was originally sold by Danby Products Limited (Canada) or Danby Products Inc. (U.S.A.) (hereafter “Danby”) or by an authorized distributor of Danby, and is non-transferable.

Terms of Warranty

Plastic parts are warranted for thirty (30) days from the date of purchase, with no extensions provided.

First 24 months During the first twenty four (24) months, any functional parts of this product found to be defective, will be repaired or replaced, at warrantor’s option, at no charge to the original purchaser.

To obtain service Contact the dealer where the unit was purchased, or contact the nearest authorized Danby service depot, where service must be performed by a qualified service technician. If service is performed on the unit by anyone other than an authorized service depot, all obligations of Danby under this warranty shall be void.

Boundaries of in-home service Danby reserves the right to limit the boundaries of “In Home Service” to the proximity of an authorized service depot. Any appliance requiring service outside the limited boundaries of “In Home Service”, will be the consumer’s responsibility to transport at their own expense to the original point of purchase or a service depot for repair. If the appliance is installed in a location that is 100 kilometers (62 miles) or more from the nearest service center, it must be delivered to the nearest authorized Danby Service Depot by the purchaser.

Transportation charges to and from the service location are not protected by this warranty and are the responsibility of the purchaser.

Exclusions

Save as herein provided, by Danby, there are no other warranties, conditions, representations or guarantees, express or implied, made or intended by Danby or its authorized distributors and all other warranties, conditions, representations or guarantees, including any warranties, conditions, representations or guarantees under any Sale of Goods Act or like legislation or statute is hereby expressly excluded. Save as herein provided, Danby shall not be responsible for any damages to persons or property, including the unit itself, howsoever caused or any consequential damages arising from the malfunction of the unit and by the purchase of the unit, the purchaser does hereby agree to indemnify and hold harmless Danby from any claim for damages to persons or property caused by the unit.

General Provisions

No warranty or insurance herein contained or set out shall apply when damage or repair is caused by any of the following:

1. Power failure.
2. Damage in transit or when moving the appliance.
3. Improper power supply such as low voltage, defective house wiring or inadequate fuses.
4. Accident, alteration, abuse or misuse of the appliance such as inadequate air circulation in the room or abnormal operating conditions (ie. extremely high or low room temperature).
5. Use for commercial or industrial purposes (ie. If the appliance is not installed in a domestic residence).
6. Fire, water damage, theft, war, riot, hostility, acts of God such as hurricanes, floods etc.
7. Service calls resulting in customer education.
8. Improper Installation (ie. Building-in of a free standing appliance or using an appliance outdoors that is not approved for outdoor application, including but not limited to: garages, patios, porches or anywhere that is not properly insulated or climate controlled).

Proof of purchase date will be required for warranty claims; retain bills of sale. In the event that warranty service is required, present the proof of purchase to our authorized service depot.

Bienvenue dans la famille Danby.

Nous sommes fiers de la qualité de nos produits et nous croyons en un service fiable. Lisez ce manuel d'utilisation avant de brancher votre nouvel appareil, car il contient des informations importantes sur son fonctionnement qui vous permettront d'assurer sa fiabilité et sa longévité. Vous bénéficiez de la garantie décrite dans le manuel d'utilisation.

1. Veuillez noter ci-dessous les informations relatives à votre appareil. **Vous devez conserver la preuve d'achat originale pour valider et bénéficier des services de garantie.**
2. Enregistrez votre produit en ligne et répondez à un sondage pour bénéficier d'une **EXTENSION DE GARANTIE GRATUITE DE 2 MOIS**. Suivez le lien :
www.danby.com/fr/soutien/enregistrement-du-produit/

Numéro de modèle: _____

Numéro de série: _____

Date d'achat: _____

Besoin d'aide?

1. Lisez votre manuel du propriétaire pour l'installation, le dépannage et l'entretien.
2. Visitez www.Danby.com pour accéder aux outils en libre-service, aux FAQ et plus encore en recherchant votre numéro de modèle à l'aide de la barre de recherche en haut de la page.
3. Pour obtenir de **l'aide du service clientèle**, veuillez remplir le formulaire en ligne à l'adresse suivante : www.danby.com/support. Votre demande sera directement transmise à un expert spécialisé dans votre appareil.

PIÈCES ET SERVICE - CLAUSE DE NON-RESPONSABILITÉ: Danby ne garantit pas la disponibilité indéfinie de toutes les pièces, des manuels d'entretien pour chaque modèle ni la disponibilité de ses techniciens dans toutes les régions.



Informations de sécurité importantes

LISEZ ET SUIVEZ TOUTES LES INSTRUCTIONS DE SÉCURITÉ

CONSIGNES DE SÉCURITÉ

DANGER: Risque d'incendie ou d'explosion. Utilisation d'un réfrigérant inflammable. Ne percez pas les tuyaux de réfrigérant.

- N'utilisez pas de dispositifs mécaniques pour dégivrer le réfrigérateur.
- Pour minimiser les risques de dommages au produit ou les problèmes de sécurité, veillez à ce que l'entretien soit effectué par du personnel de maintenance agréé par le fabricant.
- Si le cordon d'alimentation est endommagé, il doit être remplacé par le fabricant, son agent de maintenance ou une personne qualifiée similaire afin d'éviter tout danger.
- Consultez le manuel de réparation ou le guide d'utilisation avant d'essayer de réparer ce produit. Toutes les précautions de sécurité doivent être respectées.
- Éliminez le produit conformément à la réglementation fédérale ou locale.

- Suivez attentivement les instructions de manipulation.
- Ne stockez pas de substances explosives telles que des bombes aérosols contenant un propulseur inflammable dans cet appareil.

AVERTISSEMENT : veillez à ce que les ouvertures de ventilation, dans l'enceinte de l'appareil ou dans la structure intégrée, ne soient pas obstruées.

AVERTISSEMENT : n'utilisez pas de dispositifs mécaniques ou d'autres moyens pour accélérer le processus de dégivrage, autres que ceux recommandés par le fabricant.

AVERTISSEMENT : n'endommagez pas le circuit de réfrigérant.

AVERTISSEMENT : n'utilisez pas d'appareils électriques à l'intérieur des compartiments de stockage des aliments de l'appareil, sauf s'ils sont du type recommandé par le fabricant.

AVERTISSEMENT : Lors du positionnement de l'appareil, s'assurer que le câble d'alimentation n'est pas coincé ni endommagé.

CONSERVEZ CES INSTRUCTIONS!



Informations de sécurité importantes

LISEZ ET SUIVEZ TOUTES LES INSTRUCTIONS DE SÉCURITÉ

AVERTISSEMENT : Ne pas placer de socles mobiles de prises multiples ni de blocs d'alimentation portables à l'arrière de l'appareil.

ATTENTION : Les enfants doivent être surveillés afin de s'assurer qu'ils ne jouent pas avec l'appareil.

DANGER: Risque de coincement des enfants. Avant de jeter un ancien appareil :

- Retirez la porte ou le couvercle.
- Laissez les étagères en place afin que les enfants ne puissent pas facilement grimper à l'intérieur.

DANGER: N'ajoutez pas de verrou à la porte ou au couvercle. Cela pourrait entraîner le coincement et blesser les enfants.

EXIGENCES DE SÉCURITÉ

Cet appareil n'est pas destiné à être utilisé par des personnes (y compris des enfants) dont les capacités physiques, sensorielles ou mentales peuvent être différentes ou réduites, ou qui manquent d'expérience ou de connaissances, à moins que ces personnes ne soient supervisées ou formées à l'utilisation de l'appareil par une personne responsable de leur sécurité.

Cet appareil est destiné à être utilisé dans des applications domestiques et similaires telles que :

- Les cuisines du personnel dans les magasins, les bureaux et autres environnements de travail ;
- Les fermes et par les clients dans les hôtels, motels et autres environnements de type résidentiel ;
- Les environnements de type chambres d'hôtes ;
- La restauration et les applications similaires non commerciales.

CONSERVEZ CES INSTRUCTIONS!



Informations de sécurité importantes

LISEZ ET SUIVEZ TOUTES LES INSTRUCTIONS DE SÉCURITÉ

INSTRUCTIONS DE MISE À LA TERRE

Cet appareil doit être mis à la terre. La mise à la terre réduit le risque de choc électrique en fournissant un fil de fuite pour le courant électrique.

Cet appareil est équipé d'un cordon avec un fil de mise à la terre et une fiche à 3 broches. Le cordon d'alimentation doit être branché sur une prise correctement mise à la terre. Si la prise est une prise murale à 2 broches, elle doit être remplacée par une prise murale à 3 broches correctement mise à la terre. La plaque signalétique indique la tension et la fréquence pour lesquelles l'appareil est conçu.

AVERTISSEMENT - Une utilisation incorrecte de la fiche de mise à la terre peut entraîner un risque d'électrocution. Consultez un électricien qualifié ou un agent de service si vous ne comprenez pas parfaitement les instructions de mise à la terre ou si vous avez des doutes quant à la mise à la terre correcte de l'appareil.

Ne branchez pas votre appareil à une rallonge ou à un autre appareil sur la même prise murale. Ne raccordez pas le cordon d'alimentation. Ne coupez ou ne retirez en aucun cas la troisième broche de mise à la terre du cordon d'alimentation. N'utilisez pas de rallonges ou d'adaptateurs non mis à la terre (à deux broches).

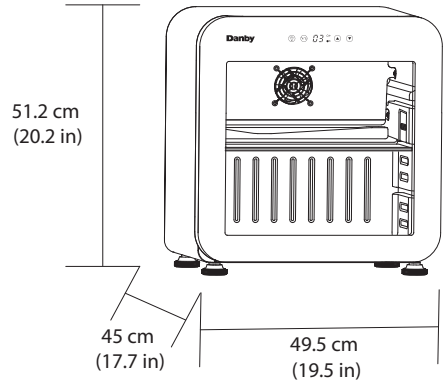
CONSERVEZ CES INSTRUCTIONS!

INSTRUCTIONS D'INSTALLATION

EMPLACEMENT

- Deux personnes doivent être présentes pour déplacer l'appareil.
- Retirez l'emballage intérieur et extérieur avant l'installation. Essuyez l'extérieur de l'appareil avec un chiffon doux et sec et l'intérieur avec un chiffon humide tiède.
- Placez l'appareil sur un sol suffisamment solide pour le supporter lorsqu'il est entièrement chargé.
- Ne placez pas l'appareil à la lumière directe du soleil ou à proximité de sources de chaleur, telles qu'une cuisinière ou un radiateur, car cela peut augmenter la consommation électrique. Des températures ambiantes extrêmement froides peuvent également nuire au bon fonctionnement de l'appareil.
- N'utilisez pas l'appareil à proximité d'eau, par exemple dans un sous-sol humide ou près d'un évier.
- Cet appareil est destiné à un usage domestique uniquement. Il n'est pas conçu pour être installé à l'extérieur, y compris dans des endroits où la température n'est pas contrôlée (garages, porches, véhicules, etc.).
- Avant de brancher l'appareil à une source d'alimentation, laissez-le reposer à la verticale pendant environ 6 heures. Cela réduira le risque de dysfonctionnement du système de refroidissement dû à la manipulation pendant le transport.

- Cet appareil mesure 49,5 cm (19,5 pouces) de largeur, 51,2 cm (20,2 pouces) de hauteur et 45 cm (17,7 pouces) de profondeur.



- Cet appareil est uniquement destiné à une installation autonome. Il n'est pas conçu pour être encastré dans un meuble ou un comptoir sans respecter les exigences minimales en matière de circulation d'air.
- Exigences minimales en matière de circulation d'air : Laissez un espace de 5 cm (2 pouces) entre l'arrière, les côtés et le dessus de l'appareil et toutes les structures environnantes (murs, meubles ou comptoirs).

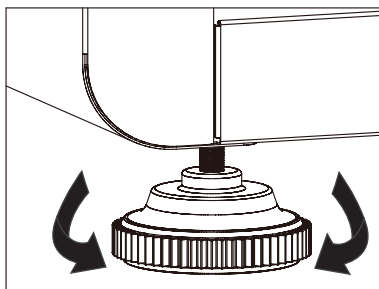
AVERTISSEMENT : le fait de placer cet appareil dans un endroit fermé avec une porte ou sans l'espace minimal décrit ci-dessus augmentera la consommation d'énergie, réduira les performances et la durée de vie de cet appareil et ANNULERA VOTRE GARANTIE.

INSTRUCTIONS D'INSTALLATION

INSTRUCTIONS DE MISE À NIVEAU

Quatre (4) pieds réglables sont situés au bas de l'appareil. Ils peuvent être tournés dans le sens horaire et antihoraire pour s'assurer que l'appareil est à niveau.

Il est important que l'appareil soit à niveau afin de minimiser le bruit et les vibrations.

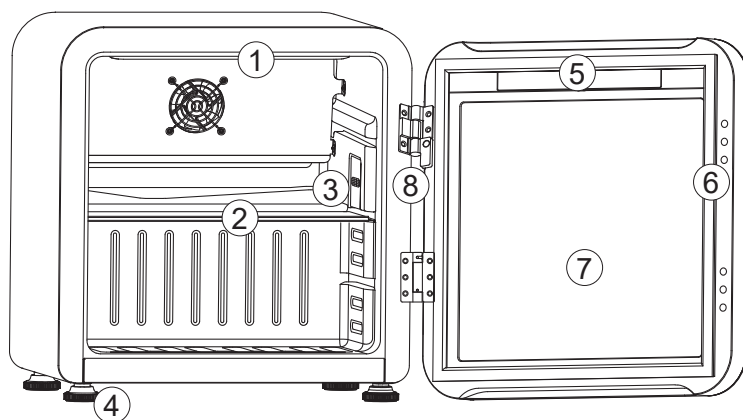


1. Déplacez l'appareil vers son emplacement définitif
2. Identifiez le pied à régler, puis tournez-le dans le sens inverse des aiguilles d'une montre jusqu'à ce que le haut du pied touche le dessous de l'appareil
3. Tournez lentement le pied dans le sens des aiguilles d'une montre jusqu'à ce qu'il repose sur le sol
4. Si nécessaire, répétez les étapes 2 et 3 jusqu'à ce que l'appareil soit à niveau

INSTRUCTIONS D'UTILISATION

CARACTÉRISTIQUES DU PRODUIT

1. Éclairage LED
2. Étagères en verre
3. Capteur de température
4. Pieds réglables
5. Panneau de commande (à l'avant de la porte, non illustré)
6. Joint magnétique
7. Porte en verre trempé
8. Charnière à fermeture automatique

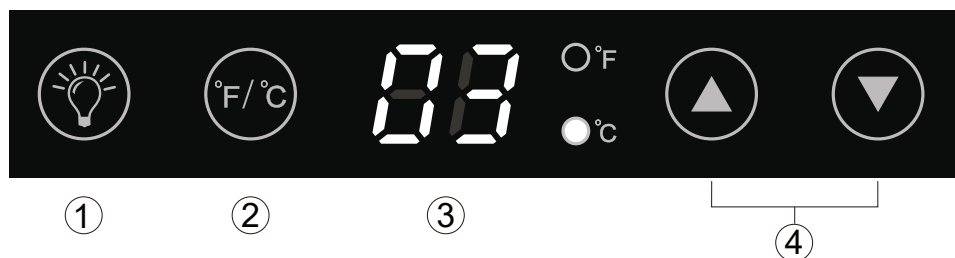


IMPORTANT

Assurez-vous que la porte est bien fermée lorsque l'appareil est en marche. Si la porte n'est pas bien fermée, cela peut entraîner une condensation excessive et des dégâts d'eau potentiels sur le sol sous l'appareil. Danby ne sera pas responsable des dommages résultant d'une mauvaise utilisation.

INSTRUCTIONS D'UTILISATION

PANNEAU DE COMMANDE



1. Bouton d'éclairage intérieur

Appuyez sur le bouton d'éclairage intérieur pour allumer ou éteindre immédiatement l'éclairage intérieur.

L'éclairage intérieur s'éteindra automatiquement après 5 minutes.

Appuyez longuement sur le bouton d'éclairage pendant ≥ 3 secondes pour que l'éclairage intérieur reste allumé en permanence.

2. Bouton de réglage °F / °C

Permet de régler l'appareil pour afficher la température en Fahrenheit (°F) ou en Celsius (°C). Appuyez sur le bouton de réglage °F/°C pour modifier l'affichage de la température.

Le voyant lumineux situé à droite s'allumera en conséquence.

3. Affichage de la température

Affiche la température de l'appareil. La température par défaut est de 3 °C (37 °F).

L'écran s'éteint automatiquement 2 minutes après la fin de l'utilisation du panneau de commande.

4. Boutons de réglage de la température

Utilisez les boutons haut et bas pour augmenter ou diminuer la température réglée.

Plage de température réglable : 0 °C à 10 °C (32 °F à 50 °F).

NETTOYAGE

Assurez-vous que l'appareil est débranché avant de le nettoyer.

- Pour nettoyer l'intérieur de l'appareil, utilisez un chiffon doux et une solution composée d'une cuillère à soupe de bicarbonate de soude pour un litre d'eau ou d'un détergent doux.
- Lavez les étagères amovibles dans une solution de détergent doux, puis séchez-les et essuyez-les avec un chiffon doux.
- Nettoyez l'extérieur avec un chiffon doux et humide et un peu de détergent doux.
- Il est important de garder propre la zone où la porte est en contact avec le meuble. Nettoyez cette zone avec un chiffon savonneux. Rincez avec un chiffon humide et laissez sécher.

Remarque : n'utilisez pas de nettoyeurs contenant de l'ammoniaque ou de l'alcool sur l'appareil. L'ammoniaque ou l'alcool peuvent endommager l'apparence de l'appareil. N'utilisez jamais de nettoyeurs commerciaux ou abrasifs ni d'objets pointus sur aucune partie de l'appareil.

PANNES DE COURANT

La plupart des pannes de courant sont corrigées en quelques heures et ne devraient pas affecter la température de l'appareil si la porte est maintenue fermée autant que possible. Si la panne de courant doit durer plus longtemps, prenez des mesures pour protéger le contenu.

Remarque : attendez 3 à 5 minutes avant de redémarrer le réfrigérateur si son fonctionnement a été interrompu.

DÉGIVRAGE

Cet appareil est équipé d'une fonction de dégivrage automatique et ne nécessite pas de dégivrage manuel. L'eau de dégivrage de l'appareil est acheminée vers un bac d'égouttement situé au-dessus du compresseur. Le transfert de chaleur du compresseur provoque l'évaporation de l'eau de dégivrage.

VACANCES

Vacances courtes

- Laissez l'appareil en marche pendant les vacances de moins de trois semaines.

Longues vacances

- Si l'appareil ne sera pas utilisé pendant plusieurs mois, retirez tous les articles et éteignez l'appareil. Nettoyez et séchez soigneusement l'intérieur.
- Pour éviter les odeurs et la formation de moisissures, laissez la porte légèrement ouverte, en la bloquant si nécessaire

DÉMÉNAGEMENT

- Assurez-vous que l'appareil est vide.
- Fixez les étagères à l'intérieur de l'appareil avec du ruban adhésif.
- Relevez le pied réglable jusqu'à la base pour éviter tout dommage.
- Fixez la porte avec du ruban adhésif.
- Assurez-vous que l'appareil reste en position verticale pendant le transport. Protégez l'extérieur de l'appareil avec une couverture ou un objet similaire.
- Si l'appareil est placé sur le dos ou sur le côté pendant le transport, une fois arrivé à destination, laissez-le en position verticale pendant 6 heures avant de le brancher afin d'éviter d'endommager les composants internes

MISE AU REBUT

Cet appareil ne doit pas être traité comme un déchet ménager ordinaire, il doit être apporté au point de collecte approprié pour le recyclage des composants électriques. Pour plus d'informations sur les points de collecte locaux, contactez votre agence locale de collecte des déchets ou votre administration locale.

QUESTIONS FRÉQUEMMENT POSÉES

Quels sont la puissance et l'intensité standard utilisées ?

Ces informations figurent sur la plaque signalétique située à l'arrière de l'armoire.

Combien coûte le fonctionnement d'un réfrigérateur ?

Veillez vous reporter au guide énergétique.

Puis-je utiliser une rallonge électrique ?

Non, l'utilisation d'une rallonge électrique est interdite.

J'ai du mal à ouvrir la porte, pourquoi ?

La porte du réfrigérateur peut être difficile à ouvrir immédiatement après l'avoir fermée. Ceci est normal et est dû à la différence de pression entre l'intérieur froid du réfrigérateur et l'air chaud qui vient d'entrer dans le réfrigérateur lorsqu'il a été ouvert. La pression s'équilibrera en quelques minutes.

J'ai transporté mon réfrigérateur sur le côté pour le ramener à la maison. Dois-je le laisser reposer ? Et pendant combien de temps ?

Oui, veuillez le laisser reposer à la verticale pendant 6 heures avant de le brancher.

QUESTIONS FRÉQUEMMENT POSÉES

Un code d'erreur s'affiche sur le panneau de commande, que signifie-t-il ?

E1: défaillance du capteur de température

E2: défaillance du capteur de dégivrage

Pour effacer tous les codes d'erreur :

- Débranchez l'appareil et laissez-le reposer pendant 5 minutes.
- Au bout de 5 minutes, rebranchez l'appareil

Si le code d'erreur persiste, contactez le service clientèle pour obtenir de l'aide.

Le réfrigérateur sent le plastique neuf. Comment faire disparaître cette odeur ?

Il est normal que les appareils neufs dégagent une légère odeur de plastique. Assurez-vous d'avoir retiré tous les matériaux d'emballage du réfrigérateur. Nettoyez l'intérieur du réfrigérateur en suivant les instructions de nettoyage figurant dans le manuel d'utilisation. Une fois le nettoyage terminé, placez une boîte ouverte de bicarbonate de soude dans le réfrigérateur pour absorber les odeurs résiduelles.

DÉPANNAGE

PROBLÈME	CAUSE POSSIBLE
Pas d'alimentation électrique	<ul style="list-style-type: none">• Un fusible a peut-être sauté ou le disjoncteur s'est déclenché.• La fiche n'est pas complètement insérée dans la prise murale
La température interne n'est pas assez froide	<ul style="list-style-type: none">• Le réglage de la température est trop élevé.• La porte n'est pas correctement fermée ou est ouverte de manière excessive.• Une grande quantité d'aliments chauds a récemment été ajoutée dans l'armoire.• Proximité d'une source de chaleur ou d'un rayonnement solaire direct.• La température ambiante ou l'humidité est très élevée
Le réfrigérateur fonctionne en continu	<ul style="list-style-type: none">• Le réglage de la température est trop froid.• La porte n'est pas correctement fermée ou est trop souvent ouverte.• Une grande quantité d'aliments chauds a récemment été ajoutée dans l'appareil.• L'appareil est situé à proximité d'une source de chaleur ou exposé à la lumière directe du soleil.• La température ou l'humidité ambiante est très élevée
Le réfrigérateur émet un gargouillement lorsqu'il fonctionne	<ul style="list-style-type: none">• Ce bruit est tout à fait normal. Le réfrigérant à l'intérieur de l'appareil émet un gargouillement lorsqu'il passe de l'état liquide à l'état gazeux et vice versa.

Garantie limitée “à domicile”

Cet appareil de qualité est garanti exempt de tout vice de matière première et de fabrication, s'il est utilisé dans les conditions normales recommandées par le fabricant. Cette garantie n'est offerte qu'à l'acheteur initial de l'appareil vendu par Danby Products Limited (Canada) ou Danby Products Inc. (E.- U.A.) (ci-après « Danby ») ou par l'un des ses distributeurs agréés et elle ne peut être transférée.

Conditions

Les pièces en plastique sont garanties pendant trente (30) jours seulement à partir de la date de l'achat, sans aucune prolongation prévue.

Premiers 24 mois

Pendant les premiers vingt quatre (24) mois, toutes les pièces fonctionnelles de ce produit qui s'avèrent défectueuses seront réparées ou remplacées, selon le choix du garant, sans frais à l'acheteur initial.

Pour bénéficier du service

S'adresser au détaillant qui a vendu l'appareil, ou à la station technique agréée de service la plus proche, où les réparations doivent être effectuées par un technicien qualifié. Si les réparations sont effectuées par quiconque autre que la station de service agréée où à des fins commerciales, toutes les obligations de Danby en vertu de cette garantie seront annulées.

Limites de l'entretien à domicile

Danby se réserve le droit de limiter les limites de "Service au domicile" à proximité d'un dépôt de service agréé. Tout appareil nécessitant un service en dehors des limites de "Service à domicile" sera la responsabilité du consommateur de transporter l'appareil à leur propres frais le point d'achat original ou un dépôt de service pour réparation. Si l'appareil est installé à plus de 100 kilomètres (62 milles) du centre de service le plus proche, il doit être livré à l'atelier de réparation autorisé par Danby le plus proche, car l'entretien doit uniquement être réalisé par un technicien qualifié et certifié pour effectuer un entretien couvert par la garantie de Danby. Les frais de transport entre votre domicile et le lieu de l'entretien ne sont pas couverts par la présente garantie et doivent être acquittés par l'acheteur.

Exclusions

En vertu de la présente, il n'existe aucune autre garantie, condition ou représentation, qu'elle soit exprimée ou tacite, de façon manifeste ou intentionnelle, par Danby ou ses distributeurs agréés. De même, sont exclues toutes les autres garanties, conditions ou représentations, y compris les garanties, conditions ou représentations en vertu de toute loi régissant la vente de produits ou de toute autre législation ou règlement semblables. En vertu de la présente, Danby ne peut être tenue responsable en cas de blessures corporelles ou des dégâts matériels, y compris à l'appareil, quelle qu'en soit les causes. Danby ne peut pas être tenue responsable des dommages indirects dus au fonctionnement défectueux de l'appareil. En achetant l'appareil, l'acheteur accepte de mettre à couvert et de dégager Danby de toute responsabilité en cas de réclamation pour toute blessure corporelle ou tout dégât matériel causé par cet appareil.

Dispositions générales

La garantie ou assurance ci-dessus ne s'applique pas si les dégâts ou réparations sont dus aux cas suivants:

1. Panne de courant.
2. Dommages subis pendant le transport ou le déplacement de l'appareil.
3. Alimentation électrique incorrecte (tension faible, câblage défectueux, fusibles incorrects).
4. Accident, modification, emploi abusif ou incorrect de l'appareil tel qu'une circulation d'air inadéquate dans la pièce ou des conditions de fonctionnement anormales (température extrêmement élevée ou basse).
5. Utilisation dans un but commercial ou industriel (à savoir, si l'appareil n'est pas installé dans un domicile résidentiel).
6. Incendie, dommages causés par l'eau, vol, guerre, émeute, hostilités, cas de force majeure (ouragan, inondation, etc.).
7. Visites d'un technicien pour expliquer le fonctionnement de l'appareil au propriétaire.
8. Installation inappropriée (par exemple, encastrement d'un appareil autoportant, ou utilisation extérieure d'un appareil non conçu à cet effet, y compris, mais sans s'y limiter: les garages, les patios, les porches ou ailleurs qui ne sont pas correctement isolés ou climatisés).

Une preuve de la date d'achat sera requise pour toute réclamation sous garantie; conservez les factures. En cas de besoin de service sous garantie, présentez la preuve d'achat à notre centre de service agréé.

Bienvenido a la familia Danby.

Estamos orgullosos de nuestros productos de calidad y creemos en un servicio confiable. Lea este manual del propietario antes de enchufar su nuevo electrodoméstico, ya que contiene información importante sobre el funcionamiento para garantizar la confiabilidad y la longevidad de su electrodoméstico. Tiene derecho a la cobertura de la garantía como se describe en el manual del propietario.

1. Anote la información de su electrodoméstico a continuación. **Debe conservar el comprobante de compra original para validar y recibir los servicios de garantía.**
2. Registre su producto en línea y complete una encuesta en **www.danby.com/support/product-registration** para recibir una **EXTENSIÓN GRATUITA DE 2 MESES DE GARANTÍA.**

Número de modelo: _____

Número de serie: _____

Fecha de compra: _____

¿Necesitas ayuda?

1. Lea el manual del propietario para la instalación, solución de problemas y mantenimiento.
2. Visite **www.Danby.com** para acceder a herramientas de autoservicio, preguntas frecuentes y más buscando su número de modelo usando la barra de búsqueda en la parte superior de la página.
3. Para obtener asistencia del **servicio de atención al cliente**, rellene el formulario web en: **www.danby.com/support**. Su solicitud se enviará directamente a un experto en su electrodoméstico en particular.



Información de Seguridad Importante

LEA Y SIGA TODAS LAS INSTRUCCIONES DE SEGURIDAD

REQUISITOS DE SEGURIDAD

PELIGRO: Riesgo de incendio o explosión. Se utiliza refrigerante inflamable. No perforar los tubos de refrigerante.

- No utilizar dispositivos mecánicos para descongelar el frigorífico.
- Asegúrese de que el mantenimiento lo realice personal de servicio autorizado por el fabricante, para minimizar los daños al producto o los problemas de seguridad.
- Si el cable de alimentación está dañado, debe ser sustituido por el fabricante, su agente de servicio o una persona cualificada similar para evitar peligros.
- Consulte el manual de reparación o la guía del propietario antes de intentar reparar este producto. Se deben seguir todas las precauciones de seguridad.
- Deséchelo adecuadamente de acuerdo con las regulaciones federales o locales.

- Siga cuidadosamente las instrucciones de manejo.
- No almacene sustancias explosivas, como latas de aerosol con propelentes inflamables, en este aparato.

ADVERTENCIA: Mantenga despejadas las aberturas de ventilación, tanto en la carcasa del aparato como en la estructura empotrada.

ADVERTENCIA: No utilice dispositivos mecánicos ni otros medios para acelerar el proceso de descongelación, salvo los recomendados por el fabricante.

ADVERTENCIA: No dañe el circuito refrigerante.

ADVERTENCIA: No utilice aparatos eléctricos dentro de los compartimentos de almacenamiento de alimentos del aparato, a menos que sean del tipo recomendado por el fabricante.

ADVERTENCIA: Al colocar el aparato, asegúrese de que el cable de alimentación no quede atrapado ni se dañe..

¡GUARDA ESTAS INSTRUCCIONES!



Información de Seguridad Importante

LEA Y SIGA TODAS LAS INSTRUCCIONES DE SEGURIDAD

ADVERTENCIA: No coloque varias regletas de enchufes portátiles ni fuentes de alimentación portátiles en la parte trasera del aparato

PRECAUCIÓN: Se debe supervisar a los niños para asegurarse de que no jueguen con el aparato.

PELIGRO: Riesgo de atrapamiento de niños. Antes de desechar un aparato viejo:

- Retire la puerta o la tapa.
- Deje los estantes en su sitio para que los niños no puedan trepar fácilmente al interior

PELIGRO: No añada un candado a la puerta o la tapa. Esto puede provocar el atrapamiento y lesiones a los niños.

REQUISITOS DE SEGURIDAD

Este aparato no está destinado a ser utilizado por personas (incluidos niños) cuyas capacidades físicas, sensoriales o mentales puedan ser diferentes o reducidas, o que carezcan de experiencia o conocimientos, a menos que dichas personas reciban supervisión o formación para manejar el aparato por parte de una persona responsable de su seguridad.

Este aparato está destinado a ser utilizado en aplicaciones domésticas y similares, tales como:

- Cocinas para el personal en tiendas, oficinas y otros entornos de trabajo;
- Casas rurales y por clientes en hoteles, moteles y otros entornos de tipo residencial;
- Entornos de tipo bed and breakfast;
- Catering y aplicaciones similares no minoristas.

¡GUARDA ESTAS INSTRUCCIONES!



Información de Seguridad Importante

LEA Y SIGA TODAS LAS INSTRUCCIONES DE SEGURIDAD

INSTRUCCIONES DE CONEXIÓN A TIERRA

Este aparato debe estar conectado a tierra. La conexión a tierra reduce el riesgo de descarga eléctrica al proporcionar un cable de escape para la corriente eléctrica.

Este aparato tiene un cable con un cable de conexión a tierra con un enchufe de 3 clavijas. El cable de alimentación debe enchufarse a una toma de corriente con conexión a tierra adecuada. Si la toma de corriente es una toma de pared de dos clavijas, debe sustituirse por una toma de pared de tres clavijas con conexión a tierra adecuada. La placa de características indica el voltaje y la frecuencia para los que está diseñado el aparato.

ADVERTENCIA: el uso incorrecto del enchufe con conexión a tierra puede provocar un riesgo de descarga eléctrica. Consulte a un electricista cualificado o a un agente de servicio técnico si no comprende completamente las instrucciones de conexión a tierra o si tiene dudas sobre si el aparato está correctamente conectado a tierra.

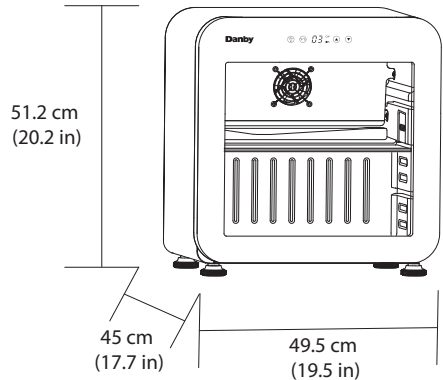
No conecte el aparato a cables alargadores ni a otro aparato en la misma toma de corriente. No empalme el cable de alimentación. No corte ni retire bajo ninguna circunstancia la tercera clavija de conexión a tierra del cable de alimentación. No utilice cables alargadores ni adaptadores sin conexión a tierra (dos clavijas).

¡GUARDA ESTAS INSTRUCCIONES!

INSTRUCCIONES DE INSTALACIÓN

UBICACIÓN

- Se deben utilizar dos personas para mover el aparato.
 - Retire el embalaje interior y exterior antes de la instalación. Limpie el exterior del aparato con un paño suave y seco y el interior con un paño húmedo tibio.
 - Coloque el aparato sobre un suelo lo suficientemente resistente como para soportarlo cuando esté completamente cargado.
 - No coloque el aparato bajo la luz solar directa ni cerca de fuentes de calor, como una estufa o un calentador, ya que esto puede aumentar el consumo eléctrico. Las temperaturas ambientales extremadamente frías también pueden hacer que el aparato funcione incorrectamente.
 - No utilice el aparato cerca del agua, por ejemplo, en un sótano húmedo o cerca de un fregadero.
 - Este aparato está destinado exclusivamente al uso doméstico. No está diseñado para su instalación en el exterior, incluyendo cualquier lugar que no esté climatizado (garajes, porches, vehículos, etc.).
 - Antes de conectar el aparato a una fuente de alimentación, déjelo en posición vertical durante aproximadamente 6 horas. Esto reducirá la posibilidad de que se produzca un mal funcionamiento en el sistema de refrigeración debido a la manipulación durante el transporte.
- Este aparato mide 49,5 cm (19,5 pulgadas) de ancho por 51,2 cm (20,2 pulgadas) de alto por 45 cm (17,7 pulgadas) de profundidad.



- Este aparato solo está diseñado para su instalación independiente. No está diseñado para ser empotrado en un armario o encimera sin cumplir los requisitos mínimos de circulación de aire.
- Requisito mínimo de circulación de aire: deje un espacio de 5 cm (2 pulgadas) entre la parte trasera, los laterales y la parte superior del aparato y todas las estructuras circundantes (paredes, armarios o encimeras).

ADVERTENCIA: Colocar este aparato en cualquier lugar cerrado con una puerta o sin el espacio mínimo de aire descrito anteriormente aumentará el consumo de energía, reducirá el rendimiento y la vida útil del aparato y ANULARÁ LA GARANTÍA.

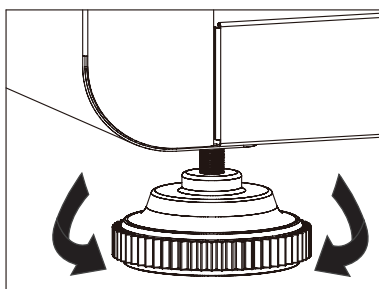
INSTRUCCIONES DE INSTALACIÓN

INSTRUCCIONES DE NIVELACIÓN

Hay cuatro (4) patas ajustables situadas en la parte inferior del aparato.

Estas se pueden girar en sentido horario y antihorario para garantizar que el aparato esté nivelado.

Es importante que el aparato esté nivelado para minimizar el ruido y las vibraciones.

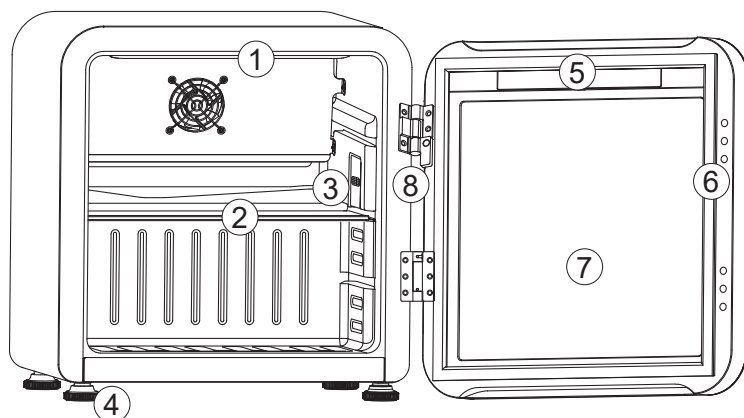


1. Mueva el aparato a su ubicación definitiva
2. Identifique qué pata debe ajustar y, a continuación, gire la pata de nivelación en sentido antihorario hasta el tope, hasta que la parte superior del pie toque la parte inferior del aparato
3. Gire lentamente la pata de nivelación en sentido horario hasta que la pata se apoye en el suelo
4. Si es necesario, repita los pasos 2 y 3 hasta que el aparato esté nivelado

INSTRUCCIONES DE OPERACIÓN

CARACTERÍSTICAS DEL PRODUCTO

1. Iluminación LED
2. Estantes de cristal
3. Sensor de temperatura
4. Pies ajustables
5. Panel de control (en la parte frontal de la puerta, no aparece en la imagen)
6. Junta magnética
7. Puerta de cristal templado
8. Bisagra de puerta con cierre automático

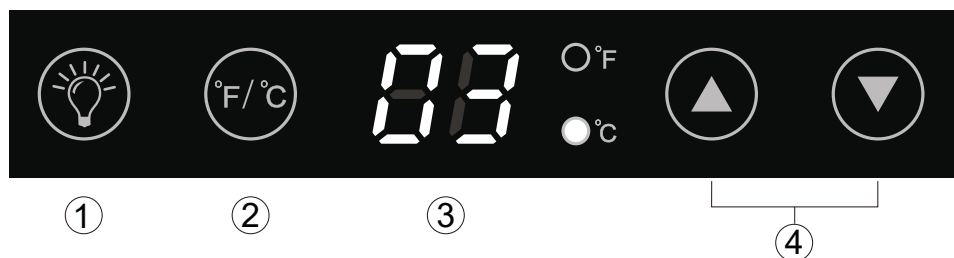


IMPORTANTE

Asegúrese de que la puerta esté completamente cerrada cuando el aparato esté en funcionamiento. Si la puerta no se cierra completamente, se puede producir una condensación excesiva y posibles daños por agua en el suelo debajo del aparato. Danby no se hace responsable de los daños causados por un uso indebido.

INSTRUCCIONES DE OPERACIÓN

PANEL DE CONTROL



1. Botón de luz interior

Pulse el botón de luz interior para encender o apagar la luz interior inmediatamente.

La luz interior se apagará automáticamente después de 5 minutos. Mantenga pulsado el botón de la luz durante ≥ 3 segundos para mantener la luz interior encendida de forma continua..

2. Botón de ajuste °F / °C

Permite configurar la unidad para que muestre la temperatura en grados Fahrenheit (°F) o Celsius (°C). Al pulsar el botón de ajuste °F/°C, cambiará la visualización de la temperatura.

La luz indicadora de la derecha se iluminará en consecuencia.

3. Pantalla de temperatura

Muestra la temperatura de la unidad. La temperatura predeterminada es 3 °C (37 °F).

El panel de visualización se apagará automáticamente 2 minutos después de dejar de utilizar el panel de control.

4. Botón de aumento y disminución de la temperatura

Utilice los botones de aumento y disminución para subir o bajar la temperatura establecida.

Rango de temperatura ajustable: 0 °C ~ 10 °C (32 °F ~ 50 °F).

CUIDADO Y MANTENIMIENTO

LIMPIEZA

Asegúrese de que el aparato esté desenchufado antes de limpiarlo.

- Para limpiar el interior del aparato, utilice un paño suave y una solución de una cucharada de bicarbonato sódico por cada litro de agua o un detergente suave.
- Lave los estantes extraíbles con una solución de detergente suave, luego séquelos y límpielos con un paño suave.
- Limpie el exterior con un paño suave y húmedo y un poco de detergente suave.
- Es importante mantener limpia la zona donde la puerta se sella contra el armario. Limpie esta zona con un paño jabonoso. Aclare con un paño húmedo y deje secar.

Nota: No utilice limpiadores que contengan amoníaco o alcohol en el aparato. El amoníaco o el alcohol pueden dañar el aspecto del aparato. No utilice nunca limpiadores comerciales o abrasivos ni objetos afilados en ninguna parte del aparato.

FALLO DE ENERGÍA

La mayoría de los fallos de energía se corrigen en unas pocas horas y no deberían afectar a la temperatura del aparato si la puerta se mantiene cerrada en la medida de lo posible. Si la energía va a estar cortada durante un periodo de tiempo más largo, tome medidas para proteger el contenido.

Nota: Espere de 3 a 5 minutos antes de intentar reiniciar el frigorífico si se ha interrumpido su funcionamiento.

DESCONGELACIÓN

Este aparato está equipado con una función de descongelación automática y no requiere descongelación manual. El agua de descongelación del aparato se canaliza hacia una bandeja de goteo situada encima del compresor. La transferencia de calor del compresor hace que el agua de descongelación se evapore.

CUIDADO Y MANTENIMIENTO

VACACIONES

Vacaciones cortas

- Deje el aparato en funcionamiento durante vacaciones de menos de tres semanas.

Vacaciones largas

- Si no va a utilizar el aparato durante varios meses, retire todos los artículos y apáguelo. Limpie y seque bien el interior
- Para evitar la aparición de olores y moho, deje la puerta ligeramente abierta, bloqueándola si es necesario.

MUDANZA

- Asegúrese de que el aparato esté vacío.
- Fije los estantes dentro del aparato con cinta adhesiva.
- Gire la pata ajustable hacia la base para evitar daños.
- Fije la puerta con cinta adhesiva.
- Asegúrese de que el aparato permanezca en posición vertical durante el transporte. Proteja el exterior del aparato con una manta o un artículo similar.
- Si el aparato se coloca boca arriba o de lado durante el transporte, al llegar al destino, déjelo en posición vertical durante 6 horas antes de enchufarlo para evitar daños en los componentes internos.

ELIMINACIÓN

Este aparato no puede tratarse como un residuo doméstico normal, debe llevarse al punto de recogida de residuos adecuado para el reciclaje de componentes eléctricos. Para obtener información sobre los puntos de recogida de residuos locales, póngase en contacto con su agencia local de recogida de residuos o con la oficina gubernamental correspondiente.

PREGUNTAS FRECUENTES

¿Cuál es la potencia y el amperaje estándar utilizados?

Esta información se encuentra en la placa de características situada en la parte posterior del armario.

¿Cuánto cuesta mantener el frigorífico en funcionamiento?

Consulte la guía energética.

¿Puedo utilizar un cable alargador?

No, no se puede utilizar un cable alargador.

Tengo problemas para abrir la puerta, ¿por qué?

Es posible que la puerta del frigorífico sea difícil de abrir inmediatamente después de cerrarla. Esto es normal y se debe a la diferencia de presión entre el interior frío del frigorífico y el aire caliente que acaba de entrar en él al abrirlo. La presión se igualará en unos minutos.

He transportado el frigorífico de lado para llevarlo a casa. ¿Tengo que dejarlo reposar? ¿Y durante cuánto tiempo?

Sí, déjelo reposar en posición vertical durante 6 horas antes de enchufarlo.

PREGUNTAS FRECUENTES

Hay un código de error en el panel de control, ¿qué significa?

E1: Fallo del sensor de temperatura

E2: Fallo del sensor de descongelación

Para borrar todos los códigos de error:

- Desenchufe el aparato y déjelo reposar sin moverlo durante 5 minutos.
- Pasados los 5 minutos, vuelva a enchufar el aparato

Si el código de error persiste, póngase en contacto con el servicio de atención al cliente para obtener más información sobre la resolución de problemas.

El frigorífico huele a plástico nuevo. ¿Cómo puedo eliminar ese olor?

Es normal que los electrodomésticos nuevos tengan un ligero olor a plástico. Asegúrese de haber retirado todo el material de embalaje del frigorífico. Limpie el interior del armario siguiendo las instrucciones de limpieza incluidas en el manual del propietario. Una vez terminado, coloque una caja abierta de bicarbonato sódico en el frigorífico para absorber cualquier olor restante.

SOLUCIÓN DE PROBLEMAS

PROBLEMA	POSIBLE CAUSA
No hay alimentación eléctrica	<ul style="list-style-type: none">• Es posible que se haya fundido un fusible o que se haya disparado el disyuntor.• El enchufe no está completamente insertado en la toma de corriente
La temperatura interna no es lo suficientemente fría	<ul style="list-style-type: none">• El ajuste de temperatura es demasiado alto.• La puerta no está bien cerrada o se abre con demasiada frecuencia.• Se ha añadido recientemente una gran cantidad de alimentos calientes al armario.• Proximidad a una fuente de calor o a la luz solar directa.• La temperatura o la humedad ambientales son muy altas
El frigorífico funciona continuamente	<ul style="list-style-type: none">• El ajuste de temperatura es demasiado frío.• La puerta no está bien cerrada o se abre excesivamente.• Se ha añadido recientemente una gran cantidad de alimentos calientes al interior del aparato.• Proximidad a una fuente de calor o a la luz solar directa.• La temperatura o la humedad ambientales son muy altas
El frigorífico hace un ruido de gorgoteo cuando está en funcionamiento	<ul style="list-style-type: none">• Este ruido es completamente normal. El refrigerante del interior del aparato hace un ruido de gorgoteo al pasar de estado líquido a gaseoso y viceversa.

Garantía limitada “a domicilio”

Este producto de calidad está garantizado contra defectos de fabricación, incluyendo partes y mano de obra, siempre y cuando la unidad se utilice bajo las condiciones normales de funcionamiento para las que fue diseñado. Esta garantía está solamente disponible para la persona que haya comprado originalmente esta unidad directamente de Danby Products Limited (Canada) o Danby Products Inc. (U.S.A.) (en adelante “Danby”) o uno de sus distribuidores autorizados, y no es transferible.

Condiciones

Las piezas plásticas, se autorizan por treinta (30) días solamente a partir de la fecha de la compra, sin las extensiones proporcionadas.

Primeros 24 meses Durante los primeros veinticuatro (24) meses, cualquier parte en buen estado de este producto que resulte defectuosa, incluyendo cualquier sistema sellado, será reparado o reemplazado, a opción del fabricante, sin cargo para el comprador original.

Para obtener servicio Comuníquese con el distribuidor donde haya comprado la unidad, o llame al Taller de Servicio Autorizado más cercano, donde debe ser reparada por un técnico calificado. Si esta unidad es reparada en otro lugar que no sea un Taller de Servicio Autorizado, o si la unidad se utiliza para aplicaciones comerciales, Danby no se hará responsable de ninguna forma y la garantía será anulada.

Límites del servicio técnico a domicilio Danby se reserva el derecho de limitar la cobertura de “Servicio en Domicilio” sujeto a la proximidad de un Taller de Servicio Autorizado. Para todo artefacto que requiera servicio fuera del área limitada de “Servicio en Domicilio”, el cliente será responsable por transportar dicho artefacto hasta el Taller de Servicio Autorizado más cercano. Si el electrodoméstico está instalado en un lugar que se encuentra a 100 kilómetros (62 millas) o más del centro de servicios más cercano, se debe llevar la unidad al Centro de servicios Danby autorizado más cercano, ya que dicho servicio sólo puede realizarlo un técnico calificado y certificado por Danby para prestar servicios de garantía. Los cargos por transporte desde y hacia el lugar en que se efectúe el servicio técnico no están cubiertos por esta garantía y son de responsabilidad del comprador.

Exclusiones

Salvo lo aquí indicado por Danby, no existen otras garantías, condiciones o representaciones, explícitas o implícitas, concretas o intencionales por parte de Danby o sus distribuidores autorizados y todas las demás garantías, condiciones o representaciones, incluyendo cualquier garantía, condiciones o representaciones bajo cualquier Acta de Venta de Productos o legislación o estatuto similar, quedan de esta forma expresamente excluidas. Salvo lo aquí indicado, Danby no serán responsables por ningún daño a personas o bienes, incluyendo la propia unidad, sin importar su causa, o de ningún daño indirecto causado por el desperfecto de la unidad, y al comprar esta unidad, el comprador acepta por la presente, indemnizar y proteger a Danby contra cualquier reclamo por daños a personas o bienes causados por la unidad.

Disposiciones generales

No se considerará ninguna de estas garantías o seguros cuando el daño o la necesidad de reparación sea el producto de los siguientes casos:

1. Falla del suministro eléctrico.
2. Daños en tránsito o durante el transporte de la unidad.
3. Alimentación incorrecta, como bajo voltaje, instalación eléctrica defectuosa o fusibles inadecuados.
4. Accidente, modificación, abuso o uso incorrecto del artefacto, tal como insuficiente ventilación del ambiente o condiciones de operación anormales (temperatura ambiente extremadamente alta o baja).
5. Utilización comercial o industrial (v.g., si el electrodoméstico no está instalado en una vivienda particular).
6. Incendio, daños por agua, robo, guerra, disturbios, hostilidades, actos de fuerza mayor como huracanes, inundaciones, etc.
7. Pedidos de servicio debido a desinformación del usuario.
8. Instalación inadecuada (v.g., instalación empotrada de un electrodoméstico diseñado como unidad independiente o uso de un electrodoméstico al aire libre que no esté aprobado para dicho fin, incluyendo pero no limitado a: garajes, patios, porches o en cualquier lugar que no esté bien aislado o controlado por el clima).

Se requerirá una prueba de la fecha de compra para las reclamaciones de garantía; conserve las facturas de venta. En caso de que se requiera servicio de garantía, presente la prueba de compra en nuestro centro de servicio autorizado.

Danby^{®/TM}
Do the right thing.

Danby Products Limited, Guelph, Ontario, Canada N1H 6Z9
Danby Products Inc. Findlay, Ohio, U.S.A. 45840

www.danby.com

